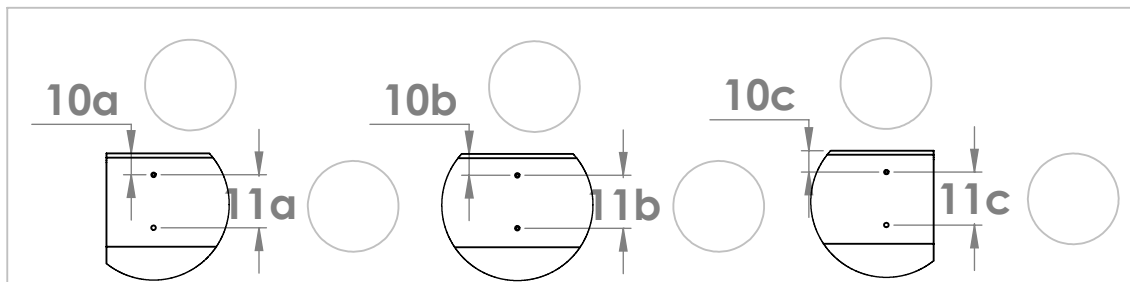
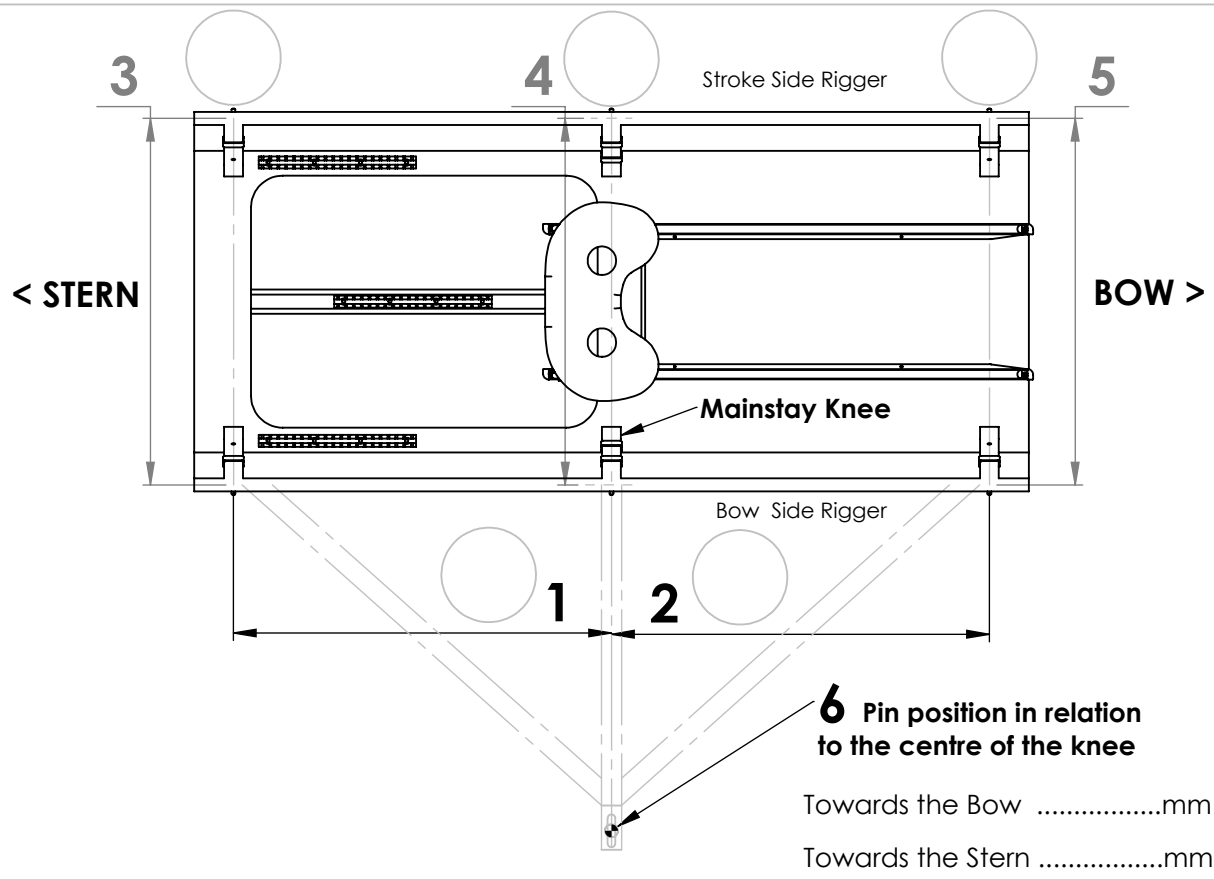
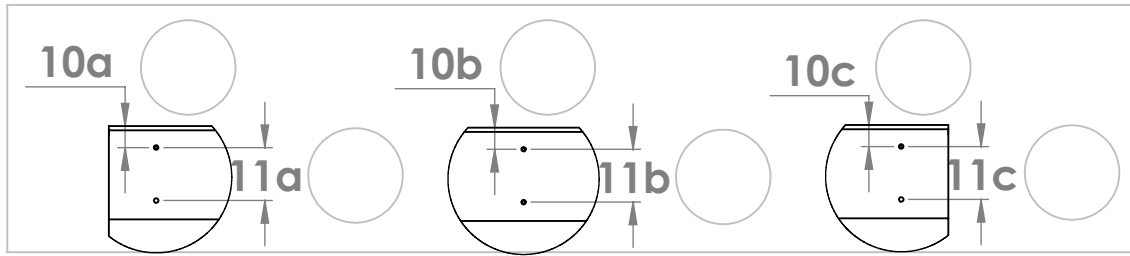
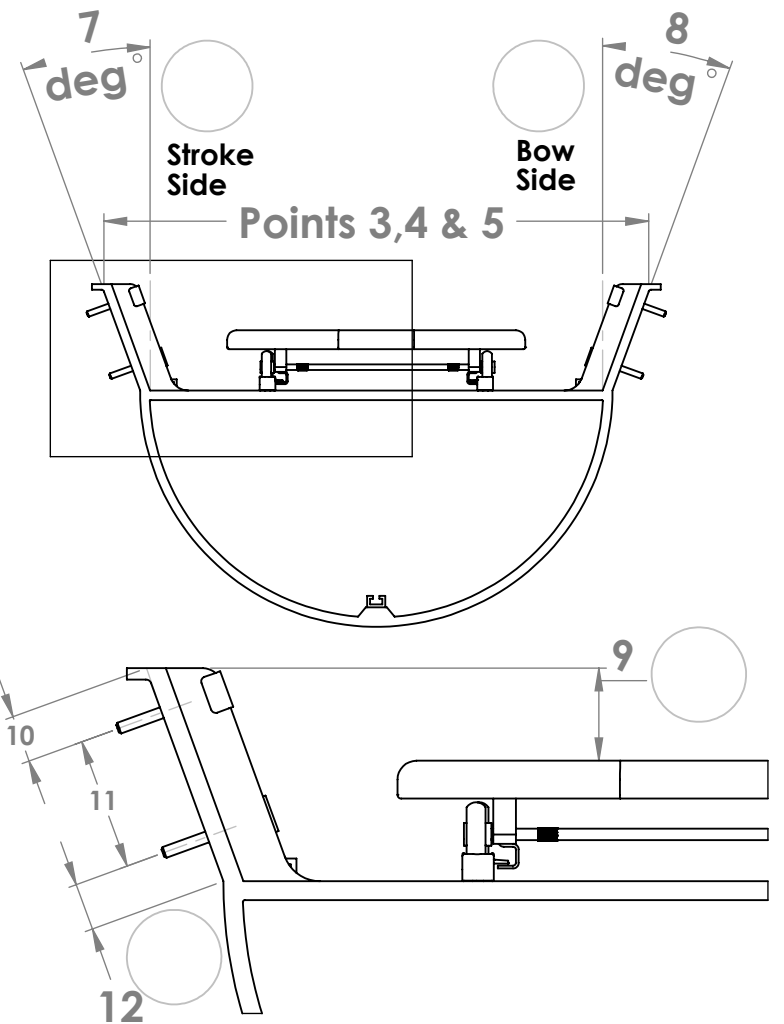


STROKE SIDE



BOW SIDE



RIGGER SPEC SHEET

Boat Type:

Seat No:

Min. Oarlock Height: B/S.....mm S/Smm

Spread:mm

Club Name:

Boat Name:

Rigger Type: SMART TYPE STD. Type

Rigger Serial No:

RIGTEC ENGINEERING LTD

17 Park Terrace, PO Box 968 Blenheim 7240 NZ
 Tel: 03 5785870 Fax: 03 5779870 e-mail: info@rigtec.co.nz
 Web Site: www.rigtec.co.nz