

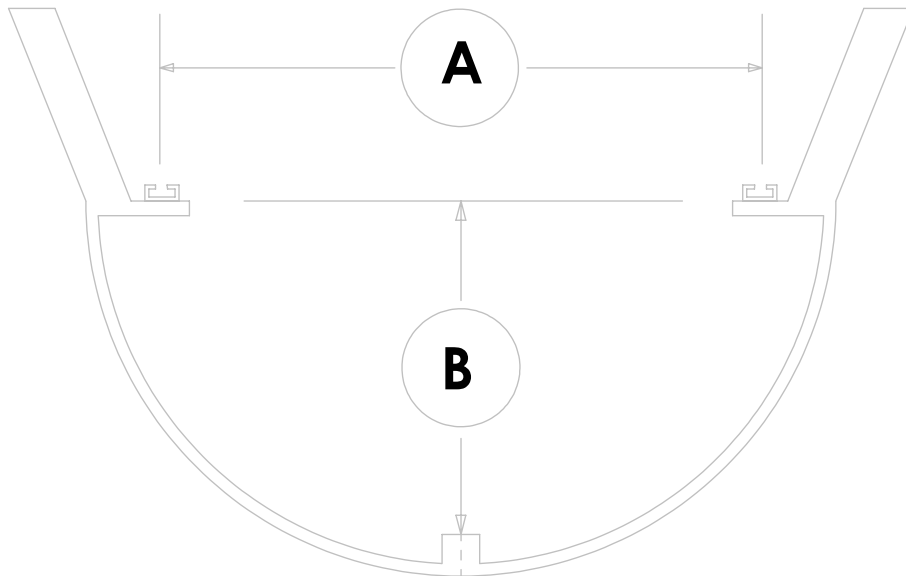
	1.BOW	2	3	4	5	6	7	8
A								
B								

**MEASURING PROCEDURE;**

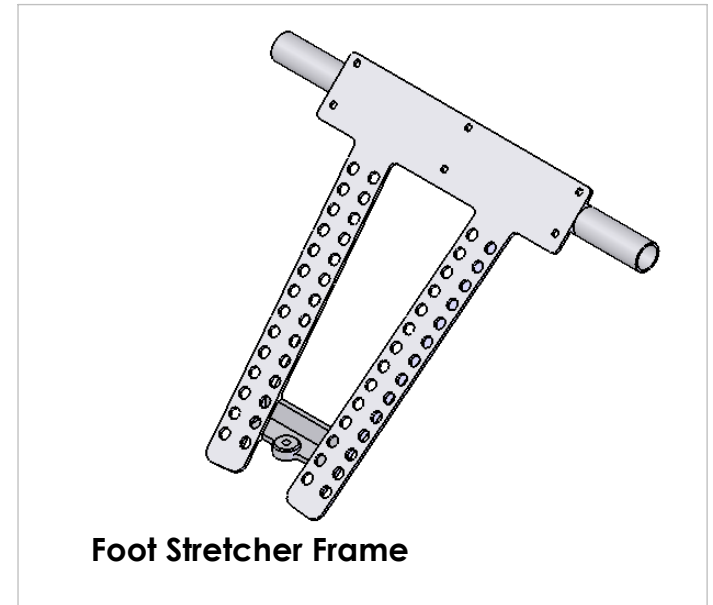
A - Measure the centre distance between the side stretcher tracks.

B - Measure the distance from the top face of the keel to the top face of the boats deck where the stretcher tracks are fixed.

STANDARD STRETCHER ANGLE : 47 deg.



**FOOT STRETCHER SPEC. SHEET**



<b>Stretcher Fitting Type:</b>	Tube	Round
--------------------------------	------	-------

<b>Customer / Club Name:</b>	
<b>Boat Type:</b>	
<b>Boat Name or ID:</b>	
<b>Stretcher Angle:</b>	
<b>Rigger Serial No:</b>	

**IMPORTANT !!**

Please take your time and care when measuring your boat.

**RIGTEC ENGINEERING LTD**

17 Park Terrace, PO Box 968 Blenheim 7240 NZ  
 Tel: 03 5785870 Fax: 03 5779870 e-mail: info@rigtec.co.nz  
 Web Site: www.rigtec.co.nz